

Endlagenschalter im Gehäuse, Typ TCR 412 Limit switches in a housing, type TCR 412

Limitswitchbox TCR 412

The TCR-module with 3-wire proximity sensor converts the end positions or middle positions of the actuator into electrical signals.

The 3-wire sensor is often used in European countries as a contact free operated signal device for non-hazardous applications.

The 3-wire sensor is considered very reliable in its switching features because of its low residual voltage and the low potential difference in the switched state.

The design and the dimensions of the TCR-housing allows it to mount sensors with a length upto 65 mm. Unique is the adjustment of every sensor in the range of 0° to 360°. The fully adjustable serrated cams are locked together to ensure that the adjusted setting is secured against any vibration.



ADVANTAGES

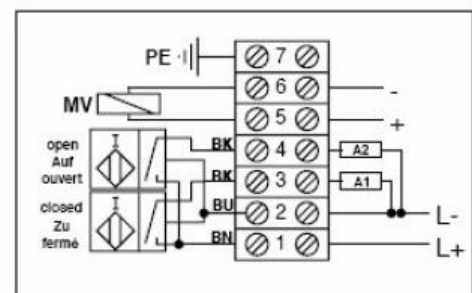
- Easy and exact adjustment of the switching points in the range from 0° to 360°,
- sensors are mountable up to the size of M18 x 65 mm.

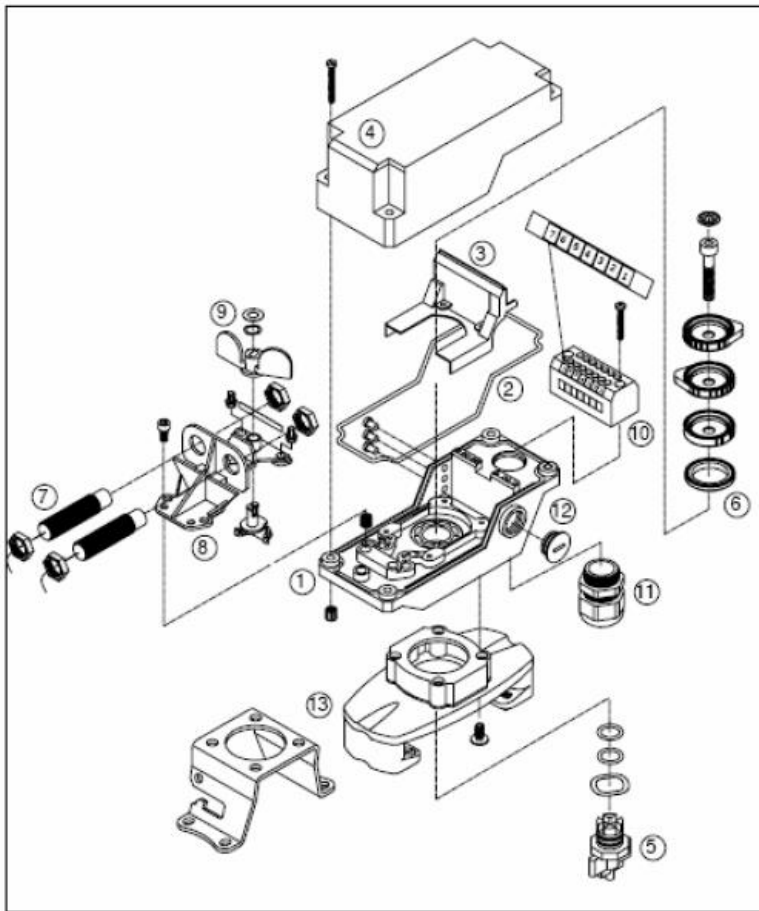
TECHNICAL DATA

Manufacturer:	Pepperl + Fuchs
Type:	NBN 4-12 GM50 - E2 inductive, 3-wire, NO DC PNP
Switch distance:	4 mm
Nom. voltage:	10 - 30 V DC
Continous current:	100 mA
Neutral current:	≤ 15 mA
Output:	short-circuit proof, r everse polarity proof damped ≤ 0.3 V, undamped ≥ U _S - 3 V
Display:	LED, yellow
Base:	Vestamid black
Cover:	optional Makrolon clear, Vestamid black or Aluminium nickel plated
Sealing:	EPDM, NBR or silicon
Ingress protection:	sensor: IP 67, housing: IP 65 acc. to IEC 529 / DIN 40 050
Switching precision of the unit:	≤ 0.5°
Temp. range:	- 25 to + 70 °C
Prov. connection:	M20 x 1.5
solenoid connection:	M12 x 1.5



WIRING DIAGRAM 3-wire, PNP





Pos.	Pcs.	Description	Material
1	1	Housing (base)	Vestamid
2	1	O-ring sealing	optional
3	1	Internal cover	PA + 30%GF
4	1	Housing (cover)	optional
5	1	TCR-axis	POM
6	1	Switch cam system	POM
7	2	Proximity sensor	-
8	1	Sensor plate	PA + 30%GF
9	1	Dampening flag	PE chrom plated
10	1	Terminal block, 7 poles	-
11	1	Cable gland	-
12	1	Dummy plug for solenoid con.	-
13	1	Bracket, size 1-4	A2 or PA

Brackets chapter A5

