

Verlängerung, Edelstahl/ Stem extension, stainless steel KV.999

Technische Daten

Verlängerung aus Edelstahl

Mit Stopfbuchspackung aus PTFE

Länge 100mm

Ab DN 125: 120mm

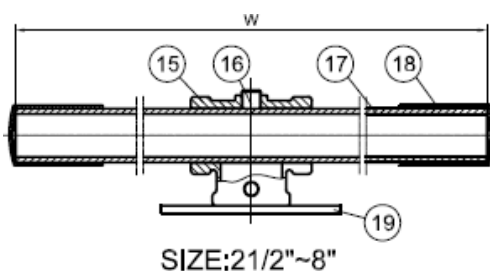
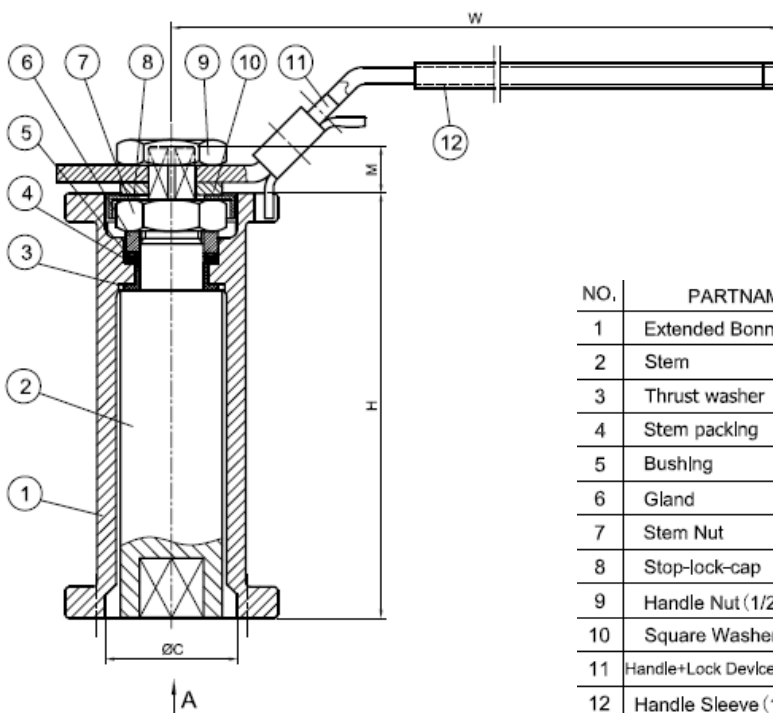
Specification

Stem extension of stainless steel

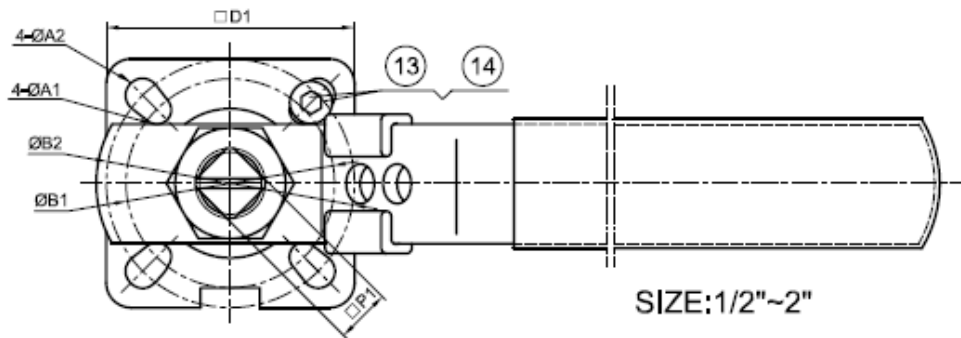
With gland seal of PTFE

Length: 100mm

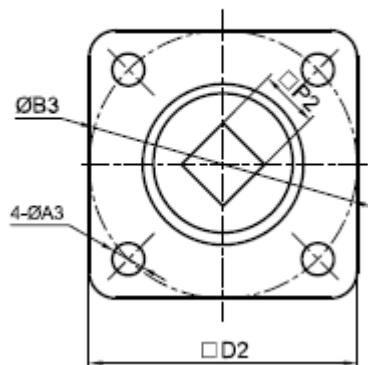
From DN 125: 120mm



NO.	PARTNAME	MATERIAL	
1	Extended Bonnet	CF8M	CF8
2	Stem	SUS316	SUS304
3	Thrust washer	TFM1600	
4	Stem packing	PTFE	
5	Bushing	50%SS+50%PTFE	
6	Gland	SUS304	
7	Stem Nut	A194-8	
8	Stop-lock-cap	SUS304	
9	Handle Nut (1/2"~2")	A194-8	
10	Square Washer	SUS304	
11	Handle+Lock Device (1/2"~2")	SUS304	
12	Handle Sleeve (1/2"~2")	VINYL PLASTIC	
13	Stop Bolt	A2-70	
14	Stop Nut	A2-70	
15	Handle Adapter(2 1/2"~8")	CF8	
16	Set Screwed(2 1/2"~8")	SUS304	
17	Pipe Handle(2 1/2"~8")	A53+PLATED Zn	
18	Handle Sleeve(2 1/2"~8")	VINYL PLASTIC	
19	Triangle Stopper(2 1/2"~8")	SUS420	



A Direction



SIZE	H	M	P1	P2	A1	A2	A3	B1	B2	B3	D1	D2	C	W	ISO5211
1/2"-3/4"	100	9	9	9	6	6	5.5	36	42	42	42	42	22	145	F03-F04
1"-1 1/4"	100	11	11	11	6	7	6.5	42	50	50	50	50	31	175	F04-F05
1 1/2"-2"	100	14	14	14	7	9	8.5	50	70	70	65	65	40	190	F05-F07
2 1/2"-3"	100	17	17	17	11		11	102		102	92	92	48	300	F10
4"	100	22	22	22	11		11	102		102	92	92	60	400	F10
5"-6"	120	27	27	27	14		14	125		125	125	125	70	600	F12
8"	120	27	27	27	14		14	125		125	125	140	70	800	F12