

3-Wege Muffenkugelhahn, Edelstahl/ 3-way ball valve, stainless steel PA-58D.566.P

Technische Daten

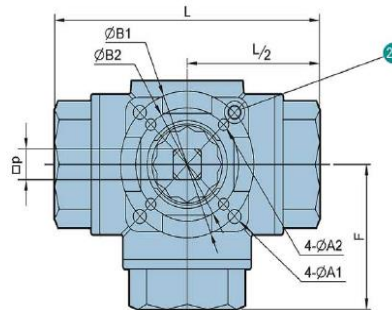
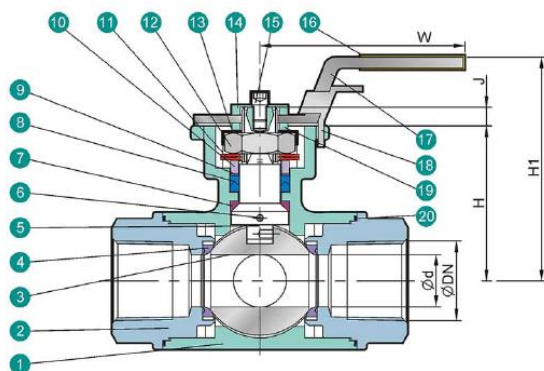
Specification

Bauform	Design
Ausblassichere Spindel	Blow-out proof stem
ISO-Direktaufbauflansch	ISO-Directmountingpad

Anschluss	Connection
Allseitig Innengewinde	Female threads
¼" - 2"	¼" - 2"
L - oder T - Bohrung	L - or T - bore

Betriebsdruck	Pressure Range
PN 63	PN 63

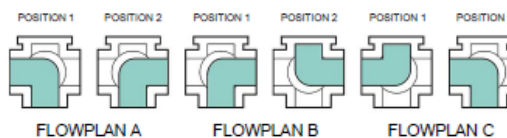
Betriebstemperatur	Temperature Range
max. 180°C	max. 180°C



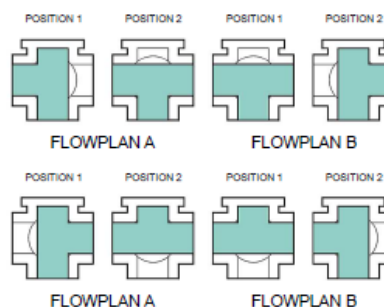
NO.	PART	MATERIAL
1	Body	A351-CF8M
2	End Cap	A351-CF8M
3	Ball	A351-CF8M
4	Ball Seat	RTFE
5	Stem	A276-316
6	Anti-static	SUS 316
7	Stem seal-ring	PTFE
8	V-ring Packing	PTFE
9	Bushing	50%SS + 50%PTFE
10	Gland	SUS 304
11	Belleville Washer	SUS 301
12	Stem Nut	SUS 304
13	Stop-lock-cap	SUS 304
14	Washer	SUS 304
15	Handle Nut	SUS 304
16	Handle Sleeve	Vinyl plastic
17	Handle	SUS 304
18	Lock Device	SUS 304
19	Handle Gland	SUS 304
20	Body Gasket	PTFE
21	Stop Bolt	SUS 304

FLOW PATTERNS FOR 3-WAY VALVES

L-PORT 90 TURN



T-PORT 90 TURN



Unit: mm

SIZE	φd	L	H	H1	W	J	F	φB1	φB2	φA1	φA2	P	φDN
1/4"	11.0	79.0	42.0	70.0	160.0	7.0	39.5	42.0	36.0	5.5	5.5	9.0	NPT
3/8"	11.0	79.0	42.0	70.0	160.0	7.0	39.5	42.0	36.0	5.5	5.5	9.0	BSP
1/2"	11.0	79.0	42.0	70.0	160.0	7.0	39.5	42.0	36.0	5.5	5.5	9.0	PT
3/4"	15.0	88.0	49.0	77.0	160.0	7.0	44.0	42.0	36.0	5.5	5.5	9.0	DIN
1"	20.0	108.0	59.0	87.0	175.0	9.0	54.0	50.0	42.0	5.5	5.5	11.0	etc...
1-1/4"	25.0	124.0	65.0	93.0	175.0	9.0	62.0	50.0	42.0	5.5	5.5	11.0	
1-1/2"	32.0	135.0	73.2	103.0	245.0	12.0	67.5	70.0	50.0	8.5	6.5	14.0	
2"	40.0	164.0	82.5	113.0	245.0	12.0	82.0	70.0	50.0	8.5	6.5	14.0	