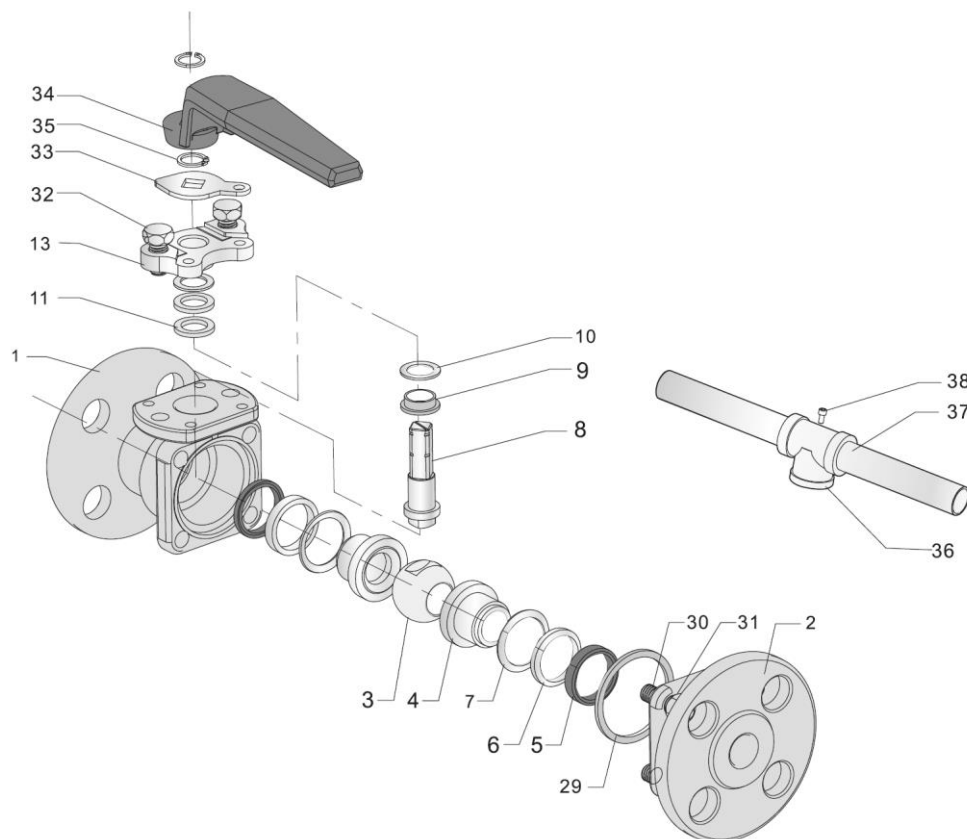


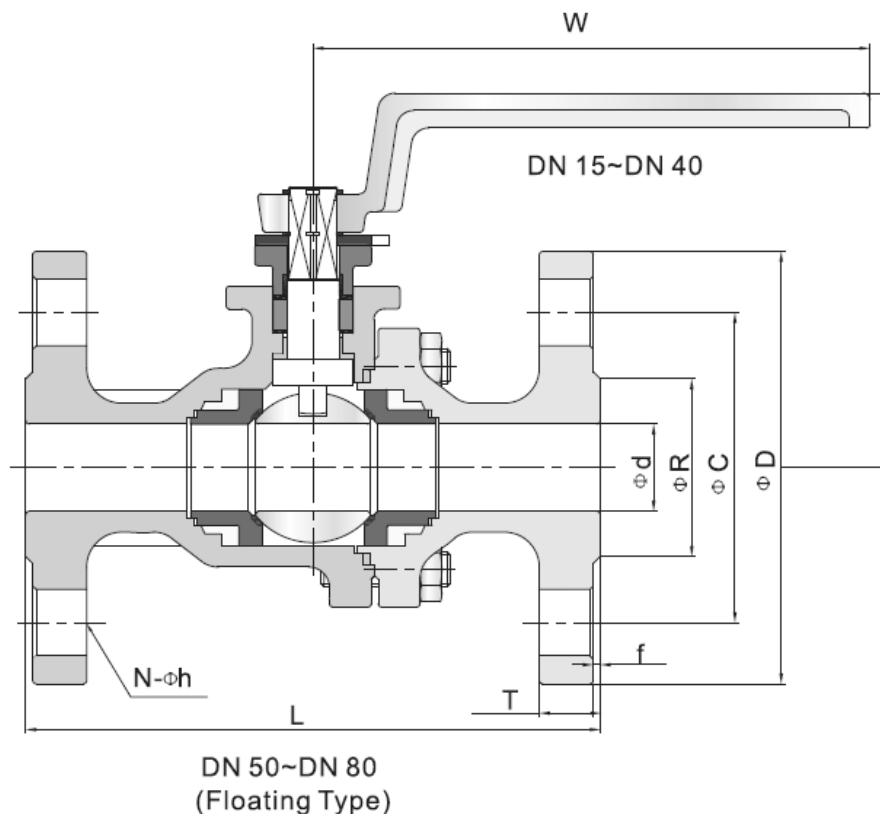
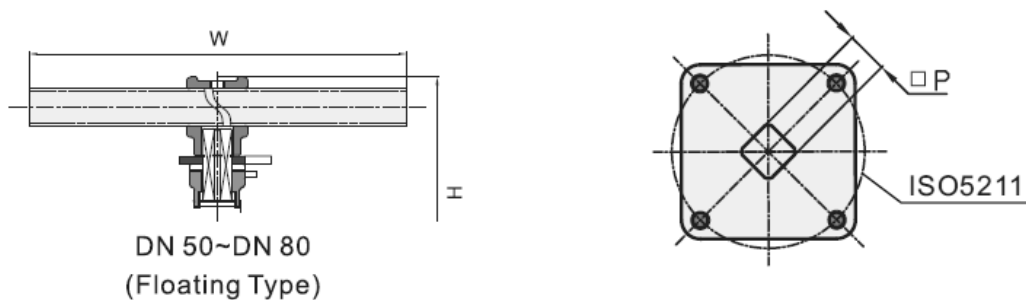
Flansch-Kugelhahn, Edelstahl, metallisch dichtend/ *Flanged ball valve, stainless steel, metal seated* PA-019MS.266.M / 019MS.466.M

Technische Daten	Specification
Bauform	Design
Voller Durchgang	Full port
2-teilig	2-pc.
Baulänge nach EN 558-1 Serie 1	Face to face according to EN 558-1 Series 1
Flansche nach DIN PN 16 oder 40	Flanges according to DIN PN 16 or PN 40
mit Handhebel	with handlever
mit ISO-Aufbauflansch	with ISO-Mountingpad
PA-019MS.266.M (PN 16)	PA-019MS.266.M (PN 16)
PA-019MS.466.M (PN 40)	PA-019MS.466.M (PN 40)
Anschluss	Connection
Beidseitig Flansche	With flanges
DN 15 – DN 150	DN 15 – DN 150
Betriebstemperatur	Temperature Range
max. 450°C	max. 450°C



NO	PART NAME	MATERIALS			
1	Body	A351-CF8M	A351-CF8	A216-WCB	Other Alloy Steels
2	Body end	A351-CF8M	A351-CF8	A216-WCB	Other Alloy Steels
3	Ball	A182-F304+Cemented Carbide			
4	Seat	A182-F304+Cemented Carbide			
5	Pressure ring	A182-F316	A182-F304		
6	Seal ring	GRAFOIL			
7	Belleville spring	INCONEL X-750 * / SUS631			SUS631
8	Stem	ASTM A564 630			
9	Stem sleeve	A439 D2*/50%SS+50%PTFE			
10	Packing bushing	SUS316			
11	Stem packing	GRAFOIL* /PTFE			
12	Gland	A351-CF8	A216-WCB		
13	Packing gland	A351-CF8	A216-WCB		
14	Hexagon bolt	A193-B8	A193-B7		
15	Wear sleeve	A439 D2*			
16	Mid. Flange gasket	316 SPIRAL WOUND + GRAFOIL*/PTFE		304 SPIRAL WOUND + GRAFOIL*/PTFE	
17	Mid. Flange	A351-CF8 M	A351-CF8	A216-WCB	
18	Hexagon socket cap head screw	A193-B8			A193-B7
19	Fully threaded stud	A193-B8			A193-B7
20	Hexagon nut	A194-8			A194-2H

* All valves with graphite stem packing, gasket, back-up seals & seal rings are inherently fire-safe



DIN PN10/16/25/40(EN558-1 Series 1&27)

Unit: mm

Size	PN	Φd	L	L	ΦR	ΦC	ΦD	f	T	N	Φh	H	W	M	P	ISO 5211 on Valve	
DN15	1/2"	15.0	115	130	45	65	95	2	16	4	14	82	130	—	9	F04	
DN20	3/4"	20.0	120	150	58	75	105	2	18	4	14	90	130	—	9	F04	
DN25	1"	25.0	125	160	68	85	115	2	18	4	14	107	160	—	11	F05	
DN32	1-1/4"	32.0	—	180	78	100	140	2	18	4	14	110	160	—	14	F05	
DN40	1-1/2"	38.0	—	200	88	110	150	2	18	4	18	130	200	—	14	F07	
DN50	2"	50.0	—	230	102	125	165	2	20	4	18	132	400	—	14	F07	
DN65	2-1/2"	10/16	63.5	—	290	122	145	185	2	18	8	18	195	400	—	17	F10
		25/40							22								
DN80	3"	10/16	76.0	—	310	138	160	200	2	20	8	18	202	600	—	22	F10
		25/40							24								
DN100	4"	10/16	100.0	—	350	158	180	220	2	20	8	18	323	305	92	22	F12
		25/40				162	190	235									
DN125	5"	10/16	125.0	—	400	188	210	250	2	22	8	18	351	406	105	27	F14
		25/40				220	270	26									
DN150	6"	10/16	150.0	—	480	212	240	285	2	22	8	22	437	406	105	27	F14
		25/40				218	250	300									