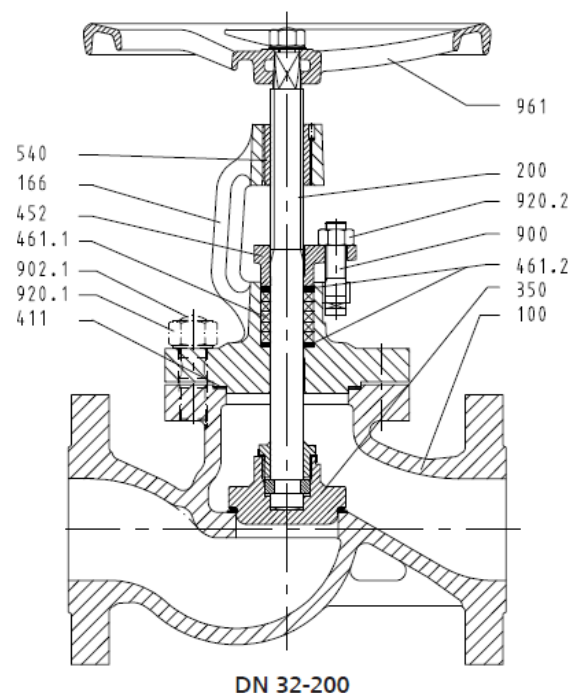
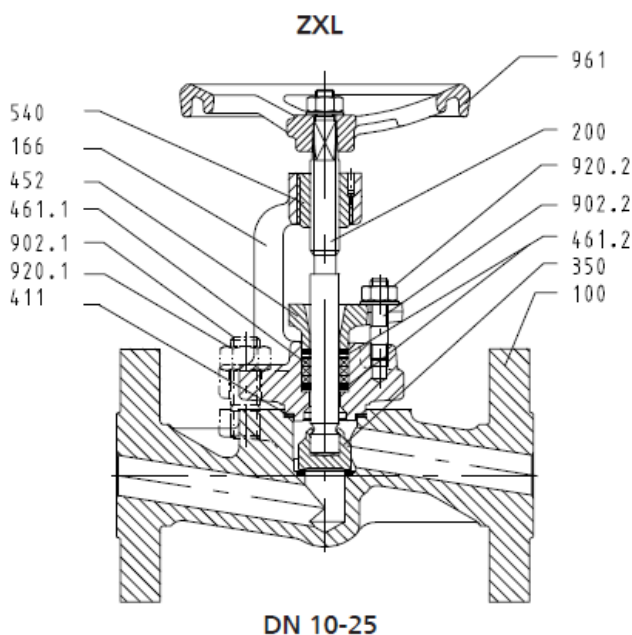


## Absperrventil mit Stopfbuchsabdichtung/ *Globe valve with gland seal* **KSB NORI 160, ZXL**

| Technische Daten  | Specification   |
|---|---|
| <b>Bauform</b><br>Absperrventil in Durchgangsform   | <b>Design</b><br><i>Globe valve in straight through form</i>            |
| Baulänge: F2<br>Metallisch dichtend<br>Mit drehender Spindel<br>Mit Stopfbuchse<br>Stelliterte Dichtflächen | Face to face: F2<br>Metal seated<br>With gland packing<br>Full stellite |
| <b>Anschluss</b><br>Flanschausführung   | <b>Connection</b><br><i>With flanged ends</i>                           |
| <b>Gehäuse</b><br>1.0460, ab DN 32 1.0619+N, PN 63 - 160  | <b>Body</b><br><i>1.0460, from DN 32 1.0619+N, PN 63 - 160</i>          |
| <b>Betriebstemperatur</b><br>Max. 450°C   | <b>Temperature Range</b><br><i>Max. 450°C</i>                           |
| <b>Gehäuse</b><br>1.7335, ab DN 32 1.7357, PN 63 - 160  | <b>Body</b><br><i>1.7335, from DN 32 1.7357, PN 63 - 160</i>            |
| <b>Betriebstemperatur</b><br>Max. 550°C   | <b>Temperature Range</b><br><i>Max. 550°C</i>                           |

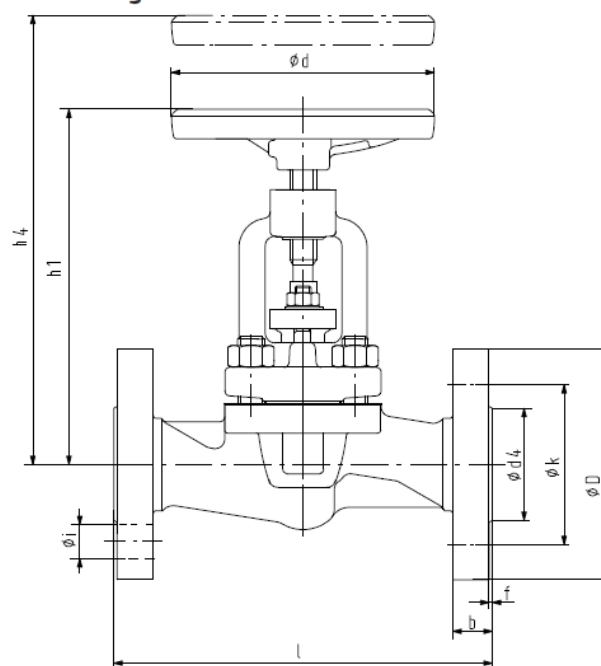


Stückliste

| Teile-Nr.         | Benennung | Temperatur [°C] | Werkstoff      | Werkstoffnummer | Bemerkung                   | Dichtflächen         |
|-------------------|-----------|-----------------|----------------|-----------------|-----------------------------|----------------------|
| 100               | Gehäuse   | ≤ 450           | P 250 GH       | 1.0460          | ZXL ≤ DN 25                 | 17 % Chromstahl (Cr) |
|                   |           |                 | GP 240 GH+N    | 1.0619+N        | ZXL ≥ DN 32,<br>ZXS ≥ DN 65 |                      |
|                   |           | ≤ 530           | 16 Mo 3        | 1.5415          | ZXS ≤ DN 50                 | Stellit              |
|                   |           | ≤ 550           | 13 CrMo 4-5    | 1.7335          | ZXL ≤ DN 25,<br>ZXS ≤ DN 50 |                      |
|                   |           |                 | G 17 CrMo 5-5  | 1.7357          | ZXL ≥ DN 32,<br>ZXS ≥ DN 65 |                      |
| 131               | Stutzen   | ≤ 450           | P 250 GH       | 1.0460          | ≥ DN 65                     | -                    |
|                   |           | ≤ 550           | 13 CrMo 4-5    | 1.7335          |                             | -                    |
| 166               | Bügel     | ≤ 450           | GP 240 GH+N    | 1.0619+N        | ≥ DN 65                     | -                    |
|                   |           | ≤ 530           | 16 Mo 3        | 1.5415          | ≤ DN 50                     | -                    |
|                   |           | ≤ 550           | 13 CrMo 4-5    | 1.7335          | -                           | -                    |
|                   |           |                 | G 17 CrMo 5-5  | 1.7357          | ≥ DN 65                     | -                    |
| 200 <sup>3)</sup> | Spindel   | ≤ 550           | X 39 CrMo 17-1 | 1.4122          | -                           | -                    |

| Teile-Nr.           | Benennung        | Temperatur [°C] | Werkstoff      | Werkstoffnummer | Bemerkung                   | Dichtflächen         |
|---------------------|------------------|-----------------|----------------|-----------------|-----------------------------|----------------------|
| 350 <sup>3)</sup>   | Kegel            | ≤ 550           | X 39 CrMo 17-1 | 1.4122          | ≤ DN 50                     | -                    |
|                     |                  | ≤ 450           | P 250 GH       | 1.0460          | ≥ DN 65                     | 17 % Chromstahl (Cr) |
|                     |                  | ≤ 550           | 13 CrMo 4-5    | 1.7335          |                             | Stellit              |
| 411 <sup>3)</sup>   | Dichtring        | ≤ 550           | CrNi Graphit   | -               | Kammprofiliert              | -                    |
| 452                 | Stopfbuchsbrille |                 | P 250 GH       | 1.0460          | -                           | -                    |
| 461.1 <sup>3)</sup> | Packungsring     |                 | Graphit        | -               | -                           | -                    |
| 461.2 <sup>3)</sup> |                  |                 |                |                 |                             |                      |
| 540 <sup>3)</sup>   | Bügelbuchse      |                 | 11 SMn 30+C    | 1.0715+C        | Nitriert                    | -                    |
| 900                 | Hammerschraube   |                 | C 35 E         | 1.1181          | ≥ DN 65,<br>olivchromatiert | -                    |
| 902.1/2             | Stiftschraube    |                 | 21 CrMo V 5-7  | 1.7709          | Olivchromatiert             | -                    |
| 920.1/2             | Sechskantmutter  |                 | 25 CrMo 4      | 1.7218          | Olivchromatiert             | -                    |
| 920.2               | Sechskantmutter  |                 | C 35 E         | 1.1181          | ≥ DN 65,<br>olivchromatiert | -                    |
| 961                 | Handrad          |                 | EN-GJL-200     | 5.1300          | ≤ DN 50                     | -                    |
|                     |                  |                 | EN-GJL-200     | 5.1300          | DN 65, DN 80                | -                    |
|                     |                  |                 | EN-GJL-250     | 5.1301          | DN 100 - DN 200             | -                    |

Abmessungen/Gewichte NORI 160 ZXL



Abmessungen [mm]/Gewichte [kg]

| PN      | DN  | l   | ø D | ø k | Lochzahl<br>z | Loch<br>ø i | ø d <sub>4</sub> × f | b  | h <sub>1</sub> <sup>4)</sup> | h <sub>4</sub> <sup>5)</sup> | Hub | ø d | [kg]  |
|---------|-----|-----|-----|-----|---------------|-------------|----------------------|----|------------------------------|------------------------------|-----|-----|-------|
| 63-160  | 10  | 210 | 100 | 70  | 4             | 14          | 40 × 2               | 20 | 230                          | 270                          | 11  | 160 | 8,0   |
|         | 15  | 210 | 105 | 75  | 4             | 14          | 45 × 2               | 20 | 230                          | 270                          | 11  | 160 | 9,5   |
|         | 20  | 230 | 130 | 90  | 4             | 18          | 58 × 2               | 24 | 230                          | 270                          | 11  | 160 | 11,0  |
|         | 25  | 230 | 140 | 100 | 4             | 18          | 68 × 2               | 24 | 230                          | 270                          | 11  | 160 | 12,5  |
|         | 32  | 260 | 155 | 110 | 4             | 22          | 78 × 2               | 26 | 310                          | 360                          | 17  | 200 | 16,5  |
|         | 40  | 260 | 170 | 125 | 4             | 22          | 88 × 3               | 28 | 310                          | 360                          | 17  | 200 | 20,5  |
| 63      | 50  | 300 | 180 | 135 | 4             | 22          | 102 × 3              | 26 | 315                          | 370                          | 22  | 200 | 25,0  |
| 100/160 | 50  | 300 | 195 | 145 | 4             | 26          | 102 × 3              | 30 | 315                          | 370                          | 22  | 200 | 26,0  |
| 63      | 65  | 340 | 205 | 160 | 8             | 22          | 122 × 3              | 26 | 415                          | 540                          | 36  | 315 | 40,0  |
|         | 80  | 380 | 215 | 170 | 8             | 22          | 138 × 3              | 28 | 500                          | 650                          | 51  | 315 | 55,0  |
|         | 100 | 430 | 250 | 200 | 8             | 26          | 162 × 3              | 30 | 550                          | 710                          | 51  | 400 | 85,0  |
|         | 125 | 500 | 295 | 240 | 8             | 30          | 188 × 3              | 34 | 620                          | 810                          | 66  | 500 | 125,0 |
|         | 150 | 550 | 345 | 280 | 8             | 33          | 218 × 3              | 36 | 625                          | 840                          | 75  | 500 | 150,0 |
|         | 200 | 650 | 415 | 345 | 12            | 36          | 285 × 3              | 42 | 855                          | 1120                         | 118 | 500 | 260,0 |
| 100     | 65  | 340 | 220 | 170 | 8             | 26          | 122 × 3              | 34 | 415                          | 540                          | 36  | 315 | 45,0  |
|         | 80  | 380 | 230 | 180 | 8             | 26          | 138 × 3              | 36 | 500                          | 650                          | 51  | 315 | 58,0  |
|         | 100 | 430 | 265 | 210 | 8             | 30          | 162 × 3              | 40 | 550                          | 710                          | 51  | 400 | 88,0  |
|         | 125 | 500 | 315 | 250 | 8             | 33          | 188 × 3              | 40 | 620                          | 810                          | 66  | 500 | 135,0 |
|         | 150 | 550 | 355 | 290 | 12            | 33          | 218 × 3              | 44 | 625                          | 840                          | 75  | 500 | 170,0 |
|         | 200 | 650 | 430 | 360 | 12            | 36          | 285 × 3              | 52 | 855                          | 1120                         | 118 | 500 | 285,0 |
| 160     | 65  | 340 | 220 | 170 | 8             | 26          | 122 × 3              | 34 | 415                          | 540                          | 36  | 315 | 45,0  |
|         | 80  | 380 | 230 | 180 | 8             | 26          | 138 × 3              | 36 | 500                          | 650                          | 51  | 315 | 60,0  |
|         | 100 | 430 | 265 | 210 | 8             | 30          | 162 × 3              | 40 | 550                          | 710                          | 51  | 400 | 90,0  |
|         | 125 | 500 | 315 | 250 | 8             | 33          | 188 × 3              | 44 | 620                          | 810                          | 66  | 500 | 135,0 |
|         | 150 | 550 | 355 | 290 | 12            | 33          | 218 × 3              | 50 | 625                          | 840                          | 75  | 500 | 175,0 |
|         | 200 | 650 | 430 | 360 | 12            | 36          | 285 × 3              | 60 | 855                          | 1120                         | 118 | 500 | 320,0 |