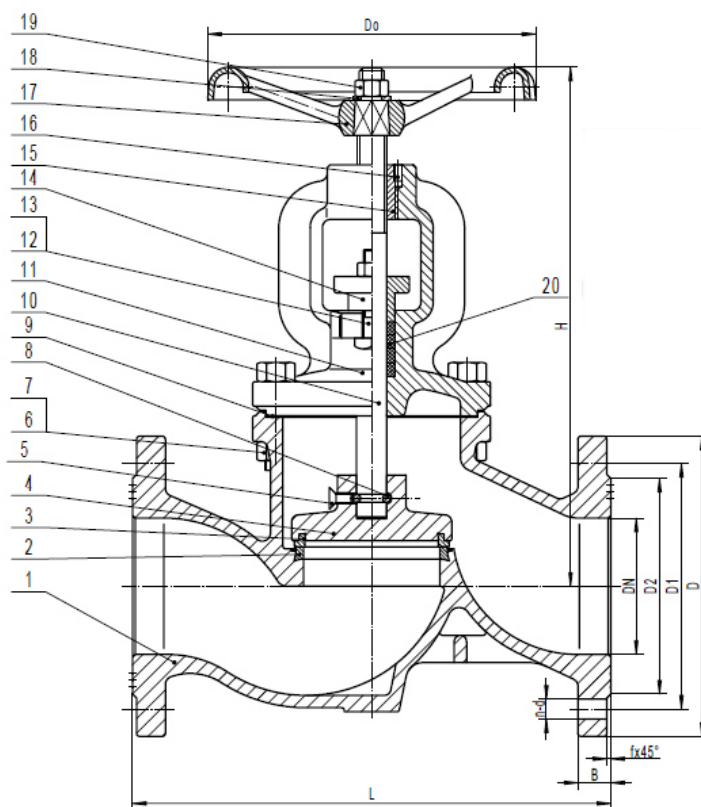


Absperrventil mit Stopfbuchsabdichtung, Grauguss/ *Globe valve with gland seal, cast iron* PA-600.215

Technische Daten	Specification
Bauform	Design
PN 16	PN 16
Absperrventil in Durchgangsform	Globe valve in straight through form
Mit Stopfbuchsabdichtung	With gland seal
Baulänge: F1	Face to face: F1
Metallisch dichtend	Metal seated
Innenteile: Niro	Trim: stainless steel
Gehäuse: GG-25	Body: GG-25
Anschluss	Connection
Flanschanschluss	Flange connection
Betriebstemperatur	Temperature Range
Max. 200°C	Max. 200°C



No.	Name of part	Material
1	Body	Cast iron
2	Body seat ring	Stainless steel
3	Disc seat ring	Stainless steel
4	Disc	Cast iron
5	Screw	Steel
6	Nut	Steel
7	Bolt	Steel
8	Steel ball	Steel
9	Gasket	Graphite
10	Stem	Stainless steel
11	Bonnet	Cast iron
12	Bolt	Steel
13	Nut	Steel
14	Gland follower	Ductile iron
15	Stem nut	Cast brass
16	Screw	Steel
17	Handwheel	Cast iron
18	Washer	Steel
19	Nut	Steel
20	Packing	Graphite

Size	L	D	D1	D2	B	f	n - d	Do	H
15	130	95	65	46	14	2	4 - 14	100	161,5
20	150	105	75	56	16	2	4 - 14	100	169
25	160	115	85	65	16	3	4 - 14	120	187
32	180	140	100	76	18	3	4 - 19	120	223
40	200	150	110	84	18	3	4 - 19	140	233,5
50	230	165	125	99	20	3	4 - 19	140	261,5
65	290	185	145	118	20	3	4 - 19	200	293
80	310	200	160	132	22	3	8 - 19	200	341
100	350	220	180	156	24	3	8 - 19	240	381
125	400	250	210	184	26	3	8 - 19	280	419
150	480	285	240	211	26	3	8 - 23	315	485
200	600	340	295	266	30	3	12 - 23	360	569
250	730	405	355	319	32	3	12 - 28	400	634
300	850	460	410	370	32	4	12 - 28	400	801