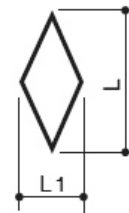


Muffenschmutzfänger, Messing/ Strainer, socket type, brass PA-410.285

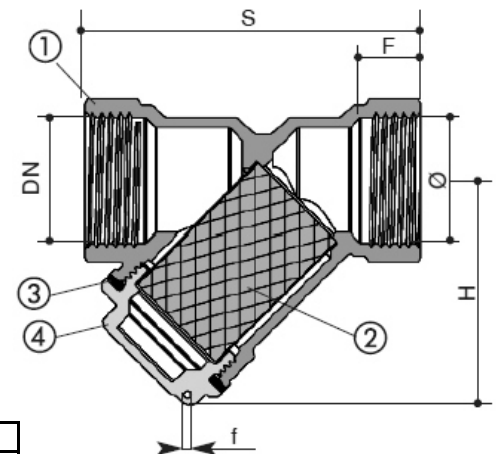
Technische Daten	Specification
Bauform	Design
PN 16	PN 16
Gehäuse: Messing	Body: brass
Sieb: Edelstahl	Mesh: stainless steel
Maschenweite: 1 mm	Mesh size: 1 mm
Anschluss	Connection
Beidseitig Innengewinde	Female threads
Betriebstemperatur	Temperature Range
Max. 100°C	Max. 100°C



No.	Part name	Material
1	Body	Brass CW 617N - UNI-EN 12165/98
2	Filter	Stainless steel AISI 304
3	Gasket	PTFE
4	Plug	Brass CW 617N - UNI-EN 12165/98



Technical Data	
Working pressure	16 bar
Working temperature	0°C + 90°C
Threaded ends	UNI ISO 228/1
Filtration Rating	900 µ / 220 mesh
¼" - 2"	1400 µ / 135 mesh
2" 1/2 - 4"	



DN	¼"	3/8"	½"	¾"	1"	1" ¼"	1" ½"	2"	2" ½"	3"	4"
Ø	10	10	15	20	25	35	41	55	60	72	90
F	9	9	11	11	14	15	15	18	19	21	25
S	46	46	56	67	74	96	104	125	146	170	210
H	31	31	40	46	50	67	74	90	107	123	152
f	2	2	2	2	2	3	3	3	3	3	3
Passo	0,5	0,5	0,5	0,5	0,5	0,5	0,5	0,5	1,5	1,5	1,5
L	2	2	2	2	2	2	2	2	3	3	3
L1	1	1	1	1	1	1	1	1	1,5	1,5	1,5
fori x cm²	34	34	34	34	34	34	34	34	21	21	21